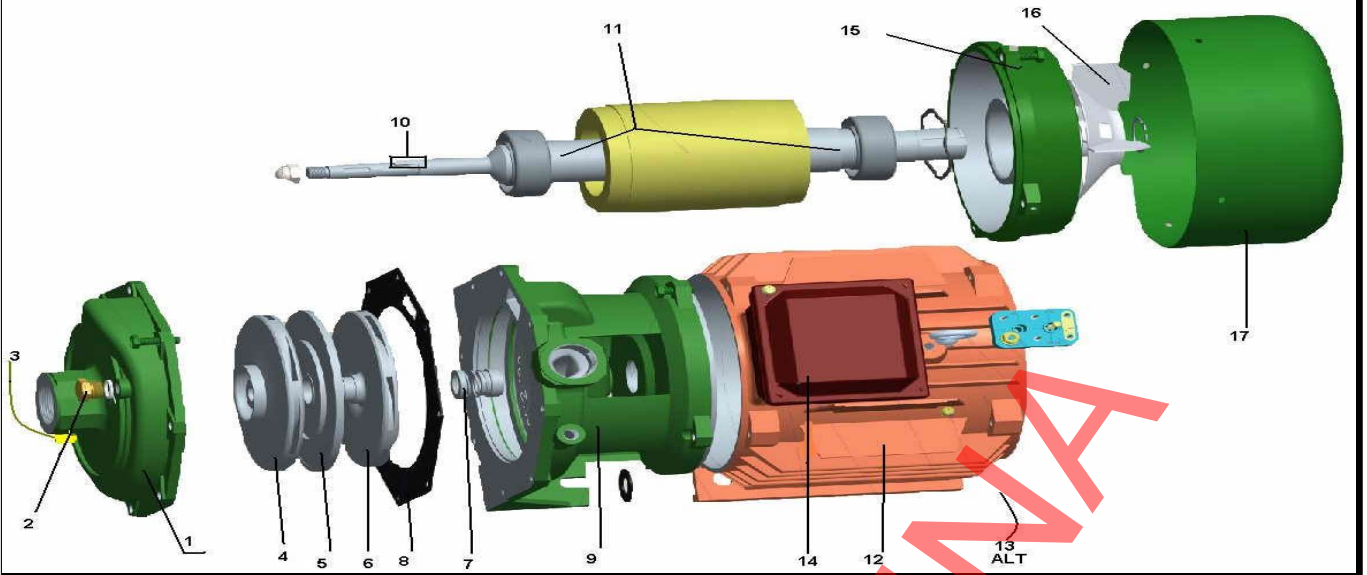


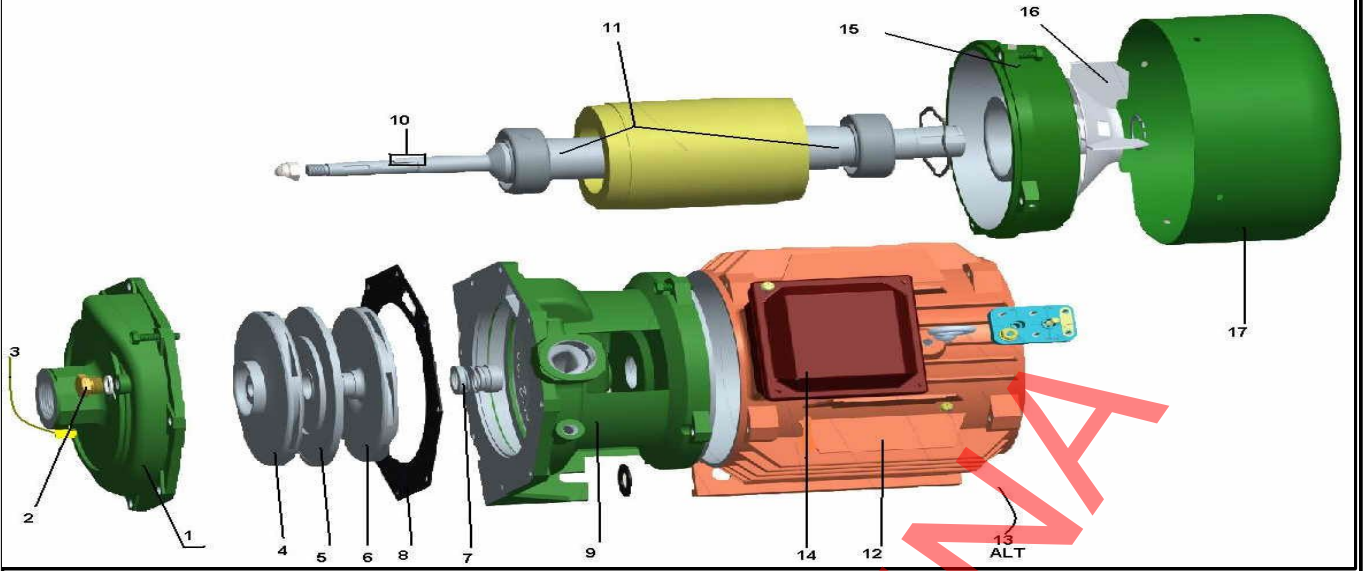
2KSM100, 150, (M-T) 200, (M-T) 300 POMPA YEDEK PARÇA LİSTESİ



RESİM	POMPA MODELİ	YEDEK PARÇA ADI	
1	2KSM100	ÖN GÖVDE	PUMP FRONT BODY
1	2KSM150=(M-T)200=(M-T)300	ÖN GÖVDE	PUMP FRONT BODY
2	2KSM100	VİDA	SCREW (WATER DRAINING-AIR TAKEING)
2	2KS(M,T)150,200,300	VİDA	SCREW (AIR TAKEING)
3	2KSM100	VİDA	SCREW (WATER DRAINING-AIR TAKEING)
3	2KS(M,T)150,200,300	VİDA	SCREW (WATER DRAINING)
4	2KSM100	SU PERVANESİ	IMPELLER
4	2KSM150	SU PERVANESİ	IMPELLER
4	2KS(M-T)200	SU PERVANESİ	IMPELLER
4	2KS(M-T)300	SU PERVANESİ	IMPELLER
5	2KSM100	DİSK	DISK
5	2KSM150=(M-T)200=(M-T)300	DİSK	DISK
6	2KSM100	SU PERVANESİ	IMPELLER
6	2KSM150	SU PERVANESİ	IMPELLER
6	2KS(M-T)200	SU PERVANESİ	IMPELLER
6	2KS(M-T)300	SU PERVANESİ	IMPELLER
7	2KSM100	MEKANİK SALMASTRA	MECHANICAL SEAL
7	2KSM150=(M-T)200	MEKANİK SALMASTRA	MECHANICAL SEAL
7	2KS(M-T)300	MEKANİK SALMASTRA	MECHANICAL SEAL
8	2KSM100	CONTA	GASKET
8	2KSM150=(M-T)200=(M-T)300	CONTA	GASKET
9	2KSM100	ARKA GÖVDE	ABOVE COVER
9	2KSM150=(M-T)200=(M-T)300	ARKA GÖVDE	ABOVE COVER
10	2KSM100=150=(M-T)200	KAMA	KEY
10	2KSM300	KAMA	KEY
11	2KSM100	ROTOR + ŞAFT	ROTOR (WITH WELDING S/S SHAFT)
11	2KSM150	ROTOR + ŞAFT	ROTOR (WITH WELDING S/S SHAFT)
11	2KS(M-T)200	ROTOR + ŞAFT	ROTOR (WITH WELDING S/S SHAFT)
11	2KS(M-T)300	ROTOR + ŞAFT	ROTOR (WITH WELDING S/S SHAFT)
12	2KSM100	MOTOR GÖVDESİ (STATOR)	STATOR (WITH MOTOR BODY)
12	2KSM150	MOTOR GÖVDESİ (STATOR)	STATOR (WITH MOTOR BODY)

RESİM	POMPA MODELİ	YEDEK PARÇA ADI	
12	2KSM200	MOTOR GÖVDESİ (STATOR)	STATOR (WITH MOTOR BODY)
12	2KST200	MOTOR GÖVDESİ (STATOR)	STATOR (WITH MOTOR BODY)
12	2KSM300	MOTOR GÖVDESİ (STATOR)	STATOR (WITH MOTOR BODY)
12	2KST300	MOTOR GÖVDESİ (STATOR)	STATOR (WITH MOTOR BODY)
13	2KSM100	AYAK	MOTOR BODY BACK FOOT
13	2KSM150=(M-T)200	AYAK	MOTOR BODY BACK FOOT
13	2KS(M-T)300	AYAK	MOTOR BODY BACK FOOT
14	2KSM100	ELEKTRİK KUTUSU	ELECT.(Terminal)BOX
14	2KSM150-200-300	ELEKTRİK KUTUSU	ELECT.(Terminal)BOX
14	2KST200-300	ELEKTRİK KUTUSU	ELECT.(Terminal)BOX(Three phase)
15	2KSM100	ARKA KAPAK	MOTOR BACK COVER
15	2KSM150-(M-T)200	ARKA KAPAK	MOTOR BACK COVER
15	2KS(M-T)300	ARKA KAPAK	MOTOR BACK COVER
16	2KSM100	HAVA FANI	AIR FAN
16	2KSM150=(M-T)200=(M-T)300	HAVA FANI	AIR FAN
17	2KSM100	HAVA FAN KAPAĞI	AIR FAN COVER
17	2KSM150=(M-T)200=(M-T)300	HAVA FAN KAPAĞI	AIR FAN COVER
18	2KSM100	KONDANSATÖR	CAPASITOR
18	2KSM150	KONDANSATÖR	CAPASITOR
18	2KSM200	KONDANSATÖR	CAPASITOR
18	2KSM300	KONDANSATÖR	CAPASITOR

2KST 400, 550, 750, 1500, 2000 POMPA YEDEK PARÇA LİSTESİ



RESİM	POMPA MODELİ	YEDEK PARÇA ADI	
1	2KST 400-550-750	ÖN GÖVDE	PUMP FRONT BODY
1	2KST 1500 - 2000	ÖN GÖVDE	PUMP FRONT BODY
2	2KST 400 - 550 - 750	VİDA	SCREW (AIR TAKEING)
2	2KST 1500 - 2000	VİDA	SCREW (AIR TAKEING)
3	2KST 400 - 550 - 750	VİDA	SCREW (WATER DRAINING)
3	2KST 1500 - 2000	VİDA	SCREW (WATER DRAINING)
4	2KST 400	SU PERVANESİ	IMPELLER
4	2KST 550	SU PERVANESİ	IMPELLER
4	2KST 750	SU PERVANESİ	IMPELLER
4	2KST 1500-2000	SU PERVANESİ	IMPELLER
5	2KST 400 - 550 - 750	DİSK	DISK
5	2KST 1500 - 2000	DİSK	DISK
6	2KST 400	SU PERVANESİ	IMPELLER
6	2KST 550	SU PERVANESİ	IMPELLER
6	2KST 750	SU PERVANESİ	IMPELLER
6	2KST 1500-2000	SU PERVANESİ	IMPELLER
7	2KST 400 - 550 - 750	MEKANİK SALMASTRA	MECHANICAL SEAL
7	2KST 1500 - 2000	MEKANİK SALMASTRA	MECHANICAL SEAL
8	2KST 400	CONTA	GASKET
8	2KST 550	CONTA	GASKET
8	2KST 750	CONTA	GASKET
8	2KST 1500 - 2000	CONTA	GASKET
9	2KST 400	ARKA GÖVDE	ABOVE COVER
9	2KST 550	ARKA GÖVDE	ABOVE COVER
9	2KST 750	ARKA GÖVDE	ABOVE COVER
9	2KST 1500 - 2000	ARKA GÖVDE	ABOVE COVER
10	2KST 400 - 550 - 750	KAMA	KEY
10	2KST 1500 - 2000	KAMA	KEY
11	2KST 400	ROTOR + ŞAFT	ROTOR (WITH WELDING S/S SHAFT)
11	2KST 550	ROTOR + ŞAFT	ROTOR (WITH WELDING S/S SHAFT)
11	2KST 750	ROTOR + ŞAFT	ROTOR (WITH WELDING S/S SHAFT)
11	2KST 1500	ROTOR + ŞAFT	ROTOR (WITH WELDING S/S SHAFT)
11	2KST 2000	ROTOR + ŞAFT	ROTOR (WITH WELDING S/S SHAFT)
12	2KST 400	MOTOR GÖVDESİ (STATOR)	STATOR (WITH MOTOR BODY)
12	2KST 550	MOTOR GÖVDESİ (STATOR)	STATOR (WITH MOTOR BODY)
12	2KST 750	MOTOR GÖVDESİ (STATOR)	STATOR (WITH MOTOR BODY)
12	2KST 1500	MOTOR GÖVDESİ (STATOR)	STATOR (WITH MOTOR BODY)
12	2KST 2000	MOTOR GÖVDESİ (STATOR)	STATOR (WITH MOTOR BODY)
13	2KST 400 - 550 - 750	AYAK	MOTOR BODY BACK FOOT
13	2KST 1500 - 2000	AYAK	MOTOR BODY BACK FOOT

RESİM	POMPA MODELİ	YEDEK PARÇA ADI	
14	2KST 400 - 550 - 750	ELEKTRİK KUTUSU	ELECT.(Terminal)BOX(Three phase)
14	2KST 1500 - 2000	ELEKTRİK KUTUSU	ELECT.(Terminal)BOX(Three phase)
15	2KST 400	ARKA KAPAK	MOTOR BACK COVER
15	2KST 550	ARKA KAPAK	MOTOR BACK COVER
15	2KST 750	ARKA KAPAK	MOTOR BACK COVER
15	2KST 1500	ARKA KAPAK	MOTOR BACK COVER
15	2KST 2000	ARKA KAPAK	MOTOR BACK COVER
16	2KST 400	HAVA FANI	AIR FAN
16	2KST 550	HAVA FANI	AIR FAN
16	2KST 750	HAVA FANI	AIR FAN
16	2KST 1500 - 2000	HAVA FANI	AIR FAN
17	2KST 400	HAVA FAN KAPAĞI	AIR FAN COVER
17	2KST 550	HAVA FAN KAPAĞI	AIR FAN COVER
17	2KST 750	HAVA FAN KAPAĞI	AIR FAN COVER
17	2KST 1500 - 2000	HAVA FAN KAPAĞI	AIR FAN COVER

KOLAY MAKİNE