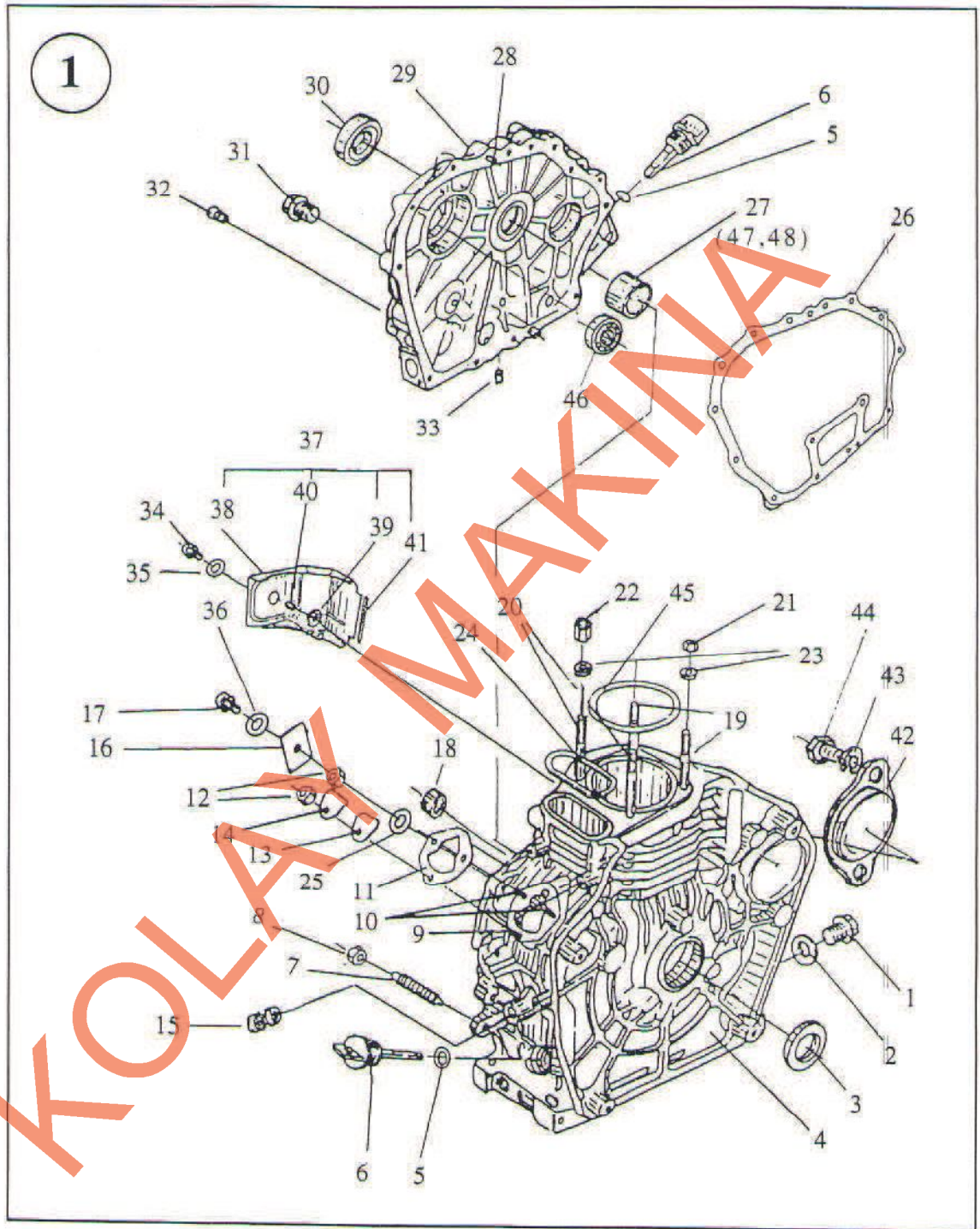


CYLINDER BLOCK ASSEMBLY



CYLINDER BLOCK ASSEMBLY

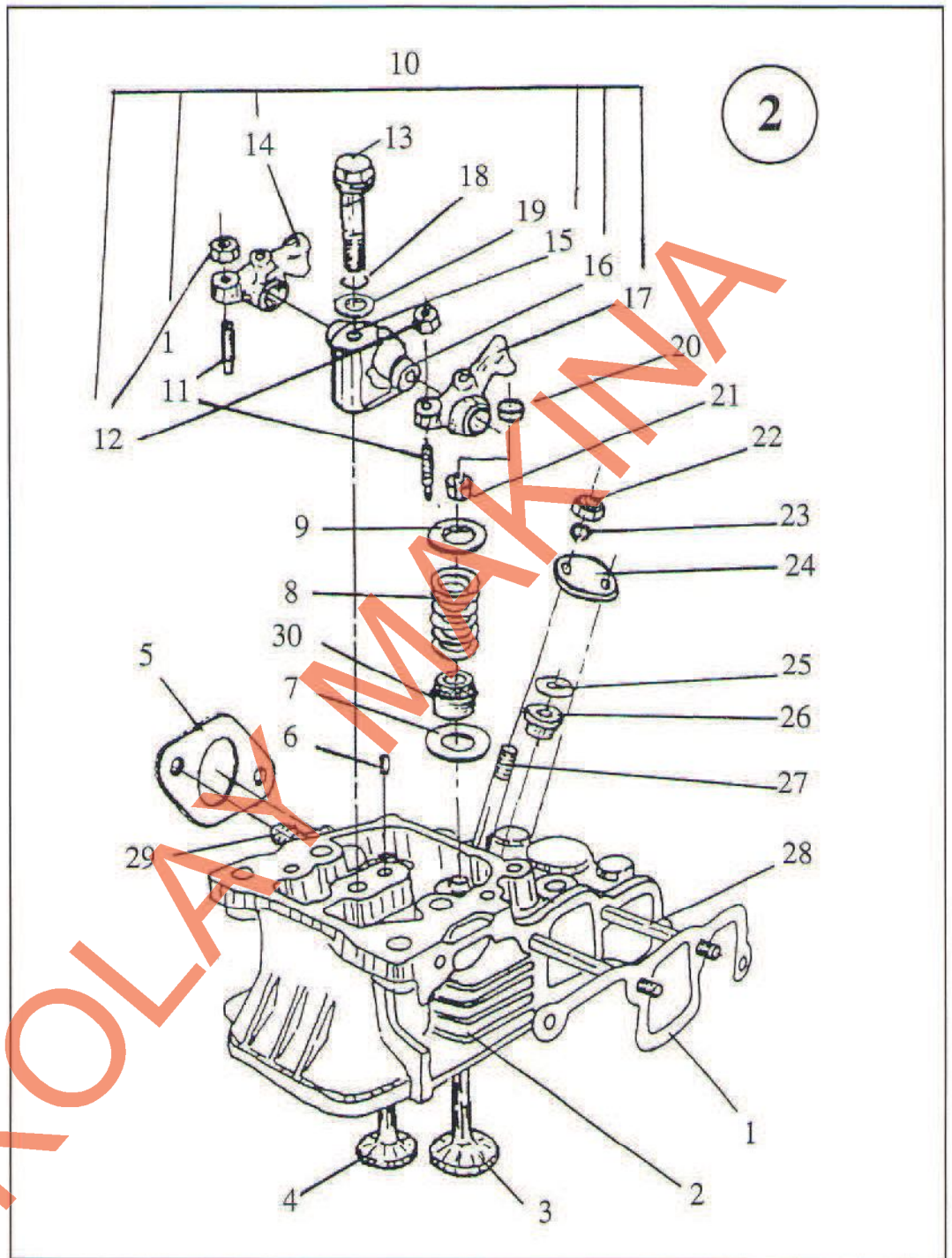
	F210		F300		F400		Description
	Drawing No.	Q'ty	Drawing No.	Q'ty	Drawing No.	Q'ty	
101	F210-01017	1	F300-01017	1	F400-01017	1	Drain Plug
102	F210-01100	1	F300-01100	1	F400-01100	1	Seal Washer Assy.
103	FB30x42x8 GB9877.1-88	1	FB30x45x8 GB9877.1-88	1	FB35x50x8 GB9877.1-88	1	Oil Seal
104	F210-01001	1	F300-01001	1	F400-01001	1	Cylinder Block
105	GB3452.1-82	2	GB3452.1-82	2	GB3452.1-82	2	O-Ring 19x3.55
106	F210-01002	2	F300-01002	2	F400-01002	2	Oil Gauge Cap
107	F210-11200	1	F300-11200	1	F400-11200	1	Torque Spring Assy.
108	GB6173-86	1	GB6173-86	1	GB6173-86	1	Nut M10x1.25
109	F210-01012	1	F300-01012	1	F400-01012	1	Stud(Short)
110	F210-01011	2	F300-01011	2	F400-01011	2	Stud(Long)
111	F210-12015		F300-12015		F400-12015		Shim Set(When Necessary)
112	GB6170-86	3	GB6170-86	3	GB6170-86	3	Nut M6
113	F210-12016	1	F300-12016	1	F400-12016	1	Seal Gasket
114	F210-12017	1	F300-12017	1	F400-12017	1	Seal Plate
115	GB290-64	2	GB290-64	2	GB290-64	2	Needle Bearing 941/8
116	F210-01009	1	F300-01009	1	F400-01009	1	Retainer
117	GB5783-86	1	GB5783-86	1	GB5783-86	1	Bolt M8x12
118	GB290-64	1	GB290-64	1	GB290-64	1	Needle Bearing 7941/15
119	F210-01003	2	F300-01003	2	F400-01003	2	Cyl.Head Stud(Short)
120	F210-01006	2	F300-01006	1	F400-01006	2	Cyl.Head Stud(Long)
121	F210-01004	2	F300-01004	2	F400-01004	2	Cyl.Head Nut(Short)
122	F210-01007	2	F300-01007	2	F400-01007	2	Cyl.Head Nut(Long)
123	F210-01005	4	F300-01005	4	F400-01005	4	Washer
124	F210-01008	1	F300-01008	1	F400-01008	1	Seal Ring
125	GB859-87	3	GB859-87	3	GB859-87	3	Washer 6
126	F210-01015	1	F300-01015	1	F400-01015	1	Crank Cast Gasket
127	F210-01014	1	F300-01014	1	F400-01014	1	Main Bearing
128	GB119-86	2	GB119-86	2	GB119-86	2	Pin A8x12
129	F210-01016	1	F300-01016	1	F400-01016	1	Crank Cast Cover
130	FB325x42x10 GB9877.1-88	1	FB30x45x10 GB9877.1-88	1	FB35x50x10 GB9877.1-88	1	Oil Seal
131	M6x25 GB5787-86	14	M8x33 GB5787-86	15	M8x33 GB5787-86	16	Bolt
132	F210-01019	1	F300-01019	1	F400-01019	1	Plug Z'/s-27UNF
133	F210-01021	3	F300-01021	3	F400-01021	3	Plunger
134	M6x12 GB5783-86	1	M6x16 GB5783-86	1	M6x16 GB5783-86	1	Bolt

CYLINDER BLOCK ASSEMBLY

	F210		F300		F400		Description
	Drawing No.	Q'ty	Drawing No.	Q'ty	Drawing No.	Q'ty	
135	GB97.1-85	1	GB97.1-85	1	GB97.1-85	1	Washer 6
136	GB97.1-85	1	GB97.1-85	1	GB97.1-85	1	Washer 8
137			F300-01200	2	F400-01200	1	Air Cover Assy.
138	F210-01018	1	F300-01201	1	F400-01201	1	Air Cover
139			F300-01202	1	F400-01202	1	Shock Absorber
140			F300-01203	1	F400-01203	1	Collar
141			F300-01204	1	F400-01204	1	Shock Absorber Seat
142	F210-01023	1	F300-01023	1	F400-01023	1	Starter Seat Cover
143	GB93-87	2	GB93-87	2	GB93-87	2	Spring Washer 10
144	GB5783-86	2	GB5783-86	2	GB5783-86	2	Bolt M10x20
145	F210-01013	1	F300-01013	1	F400-01013	1	Cyl Head Gasket
146	6205 GB276-84	1	6206 GB276-84	1	6207 GB276-84	1	Ball Bearing
147	F210-01014-1	1	F300-01014-1	1	F400-01014-1	1	Main Bearing(US=0.25)
148	F210-01014-2	1	F300-01014-2	1	F400-01014-2	1	Main Bearing(US=0.50)

KOLAY MFG

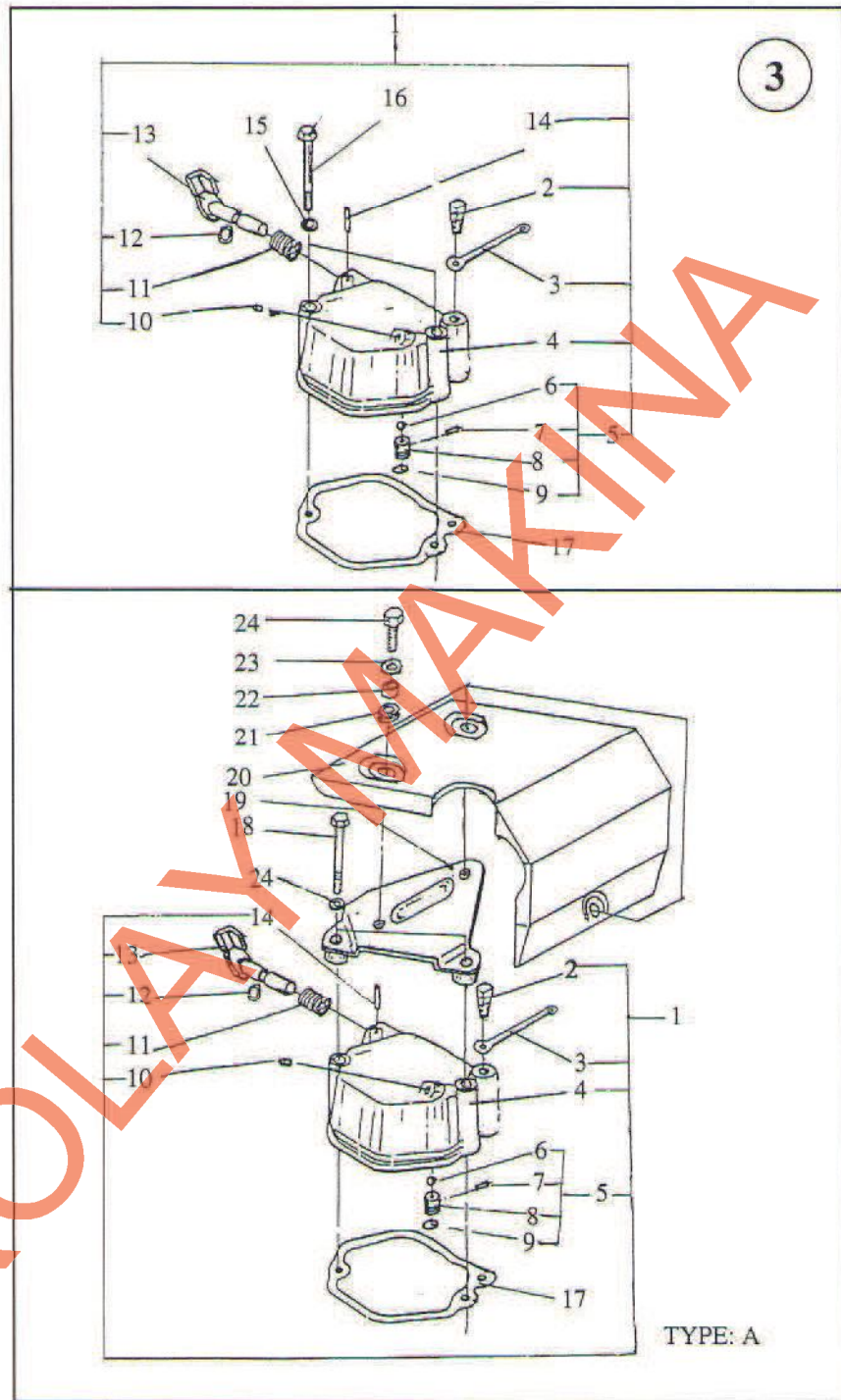
CYLINDER HEAD ASSEMBLY



CYLINDER HEAD ASSEMBLY

	F210		F300		F400		Description
	Drawing No.	Q'ty	Drawing No.	Q'ty	Drawing No.	Q'ty	
201	F210-02014	1	F300-02014	1	F400-02014	1	Air Intake Gasket
202	F210-02200	1	F300-02200	1	F400-02200	1	Cylinder Head Assy.
203	F210-02004	1	F300-02004	1	F400-02004	1	Intake Valve
204	F210-02003	1	F300-02003	1	F400-02003	1	Exhaust Valve
205	F210-02015	1	F300-02015	1	F400-02015	1	Silencer Gasket
206	GB119-86	1	GB119-86	1	GB119-86	1	Pin 4x8
207	F210-02007	2	F300-02007	2	F400-02007	2	Spring Seat
208	F210-02005	2	F300-02005	2	F400-02005	2	Valve Spring
209	F210-02002	2	F300-02002	2	F400-02002	2	Spring Retainer
210	F210-02100	1	F300-02100	1	F400-02100	1	Rocker Arm Assy.
211	F210-02105	2	F300-02105	2	F400-02105	2	Valve Screw
212	GB6172-86	2	GB6172-86	2	GB6172-86	2	Nut M6
213	F210-02106	1	F300-02106	1	F400-02106	1	Rocker Bolt
214	F210-02103	1	F300-02103	1	F400-02103	1	Exhaust Rocker Arm
215	F210-02102	1	F300-02102	1	F400-02102	1	Rocker Arm Support
216	F210-02101	1	F300-02101	1			Rocker Arm Shaft
217	F210-02104	1	F300-02104	1	F400-02104	1	Intake Rocker Arm
218	GB859-87	1	GB859-87	1	GB859-87	1	Spring Washer 8
219	GB97.1-85	1	GB97.1-85	1	GB97.1-85	1	Washer 8
220	F210-02016	2	F300-02016	2	F400-02016	2	Valve Cap
221	F210-02001	4	F300-02001	4	F400-02001	4	Cotter
222	GB6170-86	2	GB6170-86	2	GB6170-86	2	Nut M6
223	GB93-87	2	GB93-87	2	GB93-87	2	Spring Washer 6
224	F210-02009	1	F300-02009	1	F400-02009	1	Nozzle Washer
225	F210-02018	1	F300-02018	1	F400-02018	1	Spacer Washer
226	F210-02011	1	F300-02011	1	F400-02011	1	Spacer
227	GB900-88	2	GB900-88	2	GB900-88	2	Stud AM6x50
228	GB900-89	2	GB900-89	2	GB900-89	2	Stud AM6x55
229	GB899-88	2	GB899-88	2	GB899-88	2	Stud AM8x20
230	F210-02300	2	F300-02300	2	F400-02300	2	Valve Stem Seal

CYLINDER HEAD BONNET ASSEMBLY



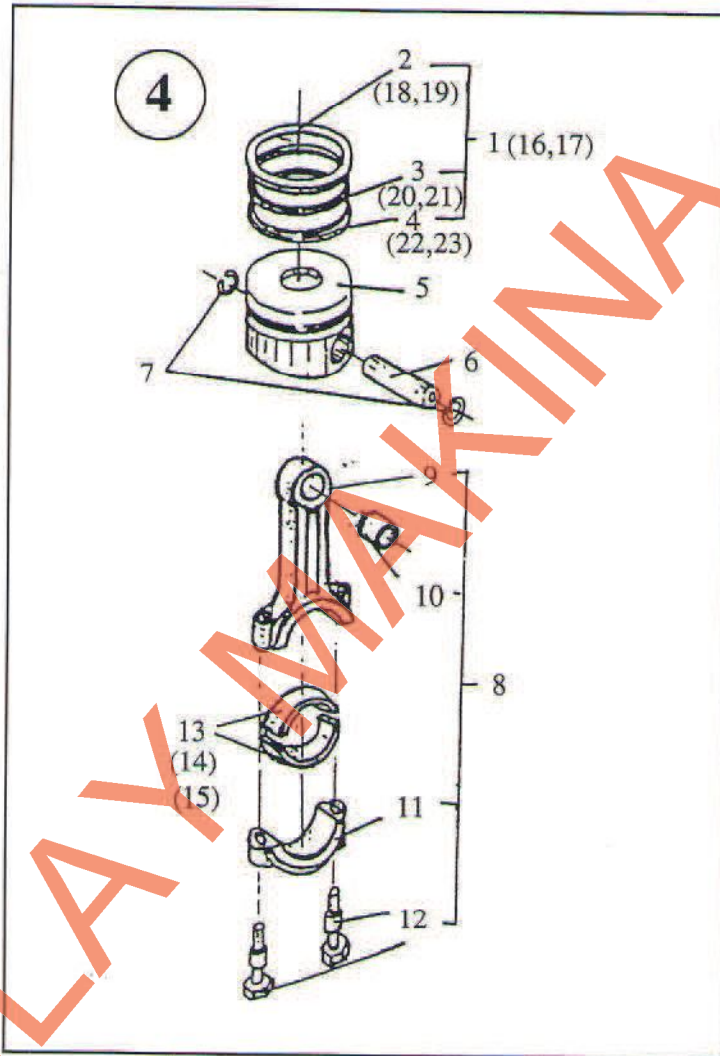
CYLINDER HEAD BONNET ASSEMBLY

	F210		F300		F400		Description
	Drawing No.	Q'ty	Drawing No.	Q'ty	Drawing No.	Q'ty	
301	F210-03000	1	F300-03000	1	F400-03000	1	Bonnet Assem.
302	F210-03005	1	F300-03005	1	F400-03005	1	Plunger
303	F210-03002	1	F300-03002	1	F00-03002	1	Plunger Holder
304	F210-03001	1	F300-03001	1	F400-03001	1	Cylinder Head Bonnet
305	F210-03200	1	F300-03200	1	F400-03200	1	Breather Assem.
306	F210-03201	1	F300-03201	1	F400-03201	1	Ball
307	F210-03203	1	F300-03203	1	F400-03203	1	Pin
308	F210-03202	1	F300-03202	1	F400-03202	1	Breather Case
309	GB3452.1-82	1	GB3452.1-82	1	GB3452.1-82	1	O-Ring 12x1.9
310	F210-01018	1	F300-01021	1	F400-01021	1	Plunger
311	F210-03004	1	F300-03004	1	F400-03004	1	Decompression Spring
312	GB3452.1-82	1	GB3452.1-82	1	GB3452.1-82	1	O-Ring 10x1.9
313	F210-03100	1	F300-03100	1	F400-03100	1	Decomp. Shaft Assem.
314	GB119-86	1	GB119-86	1	GB119-86	1	Pin 3x16
315	GB97.1-85	2	GB97.1-85	2	GB97.1-85	2	Washer 6
316	M6x55 GB5782-86	2	M6x55 GB5782-86	2	M6x70 GB5782-86	2	Bolt
317	F210-03003	1	F300-03003	1	F400-03003	1	Bonnet Washer

TYPE: A

318	M6x70 GB5782-86	2	M6x70 GB5782-86	2	M6x85 GB5782-86	2	Bolt
319	F210-03302	1	F300-03302	1	F400-03302	1	Bracket Welded
320	F210-03301	1	F300-03301	1	F400-03301	1	Cover
321	F210-03303	3	F300-03303	3	F400-03303	3	Shock Absorber
322	F210-03304	3	F300-03304	3	F400-03304	3	Collar
323	GB97.1-85	5	GB97.1-85	5	GB97.1-85	5	Washer 6
324	GB5782-86	3	GB5782-86	3	GB5782-86	3	Bolt M6x16

PISTON & CONNECTING ROD ASSEMBLY

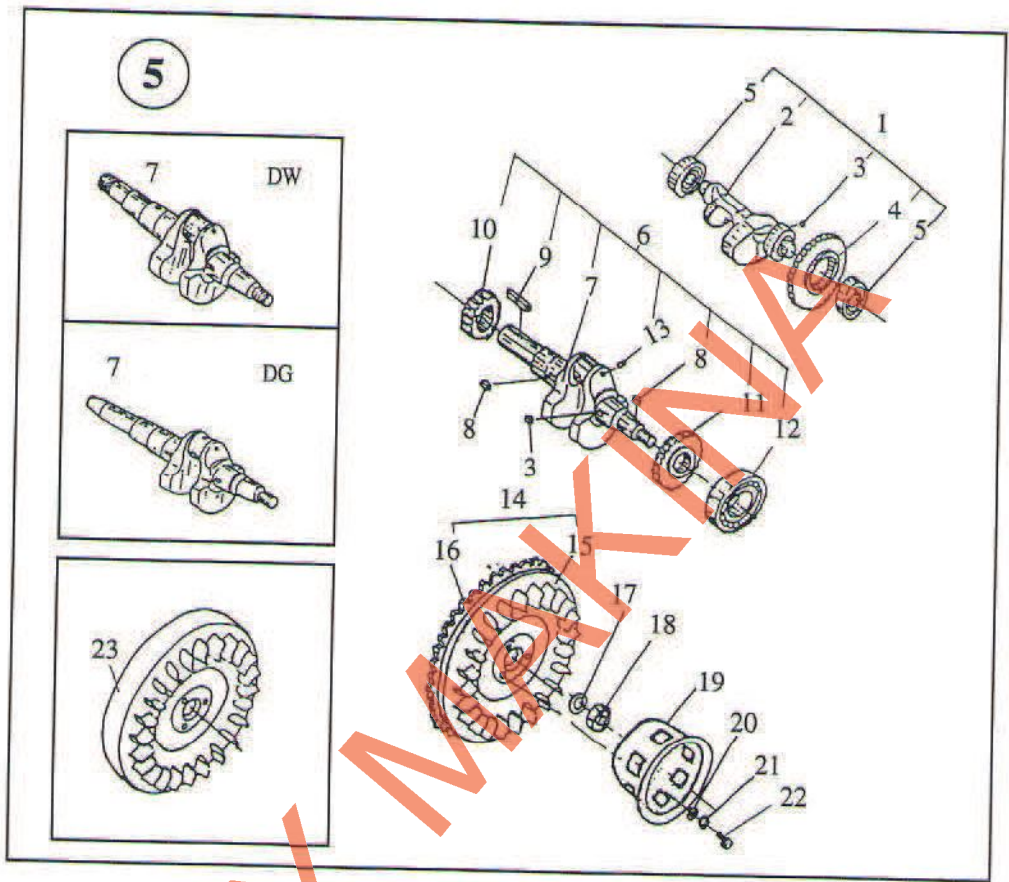


PISTON & CONNECTING ROD ASSEMBLY

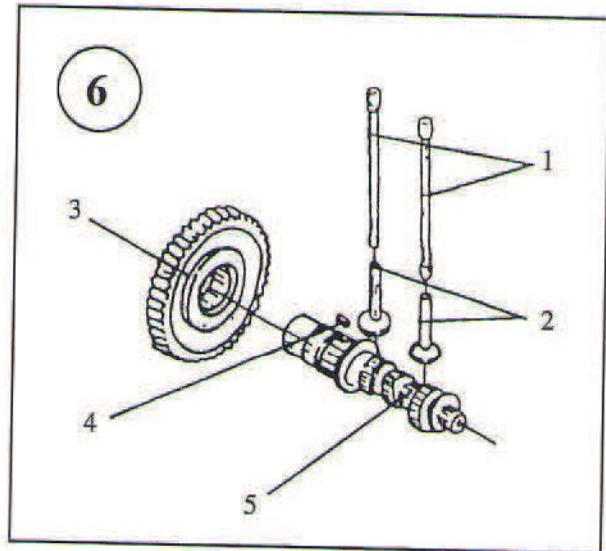
	F210		F300		F400		Description
	Drawing No.	Q'ty	Drawing No.	Q'ty	Drawing No.	Q'ty	
401	F210-04100	1	F300-04100	1	F400-04100	1	Piston Ring Set
402	F210-04101	1	F300-04101	1	F400-04101	1	First Gas Ring
403	F210-04102	1	F300-04102	1	F400-04102	1	Second Gas Ring
404	F210-04110	1	F300-04110	1	F400-04110	1	Oil Ring Assem.
405	F210-04003	1	F300-04003	1	F400-04003	1	Piston
406	F210-04004	1	F300-04004	1	F400-04004	1	Piston Pin
407	19 GB893.1-86	2	21 GB893.1-86	2	23 GB893.1-86	2	Clip
408	F210-04200	1	F300-04200	1	F400-04200	1	Connecting Rod Assy.
409	F210-04201A	1	F300-04201A	1	F400-04201	1	Connecting Rod Body
410	F210-04206A	1	F300-04206A	1	F400-04206	1	Rod Bushing
411	F210-04202A	1	F300-04202A	1	F400-04202	1	Crank Pin Box
412	F210-04203A	1	F300-04203A	1	F400-04203	1	Rod Bolt
413	F210-04005	1	F300-04005	1	F400-04005	1	Crank Pin Bearing
414	F210-04005-1	1	F300-04005-1	1	F400-04005-1	1	Crank Pin Bearing(US=0.25)
415	F210-04005-2	1	F300-04005-2	1	F400-04005-2	1	Crank Pin Bearing(US=0.50)
416	F210-04100-1	1	F300-04100-1	1	F400-04100-1	1	Piston Ring Set(OS=0.25)
417	F210-04100-2	1	F300-04100-2	1	F400-04100-2	1	Piston Ring Set(OS=0.50)
418	F210-04101-1	1	F300-04101-1	1	F400-04101-1	1	First Gas Ring(OS=0.25)
419	F210-04101-2	1	F300-04101-2	1	F400-04101-2	1	First Gas Ring(OS=0.50)
420	F210-04102-1	1	F300-04102-1	1	F400-04102-1	1	Second Gas Ring(OS=0.25)
421	F210-04102-2	1	F300-04102-2	1	F400-04102-2	1	Second Gas Ring(OS=0.50)
422	F210-04110-1	1	F300-04110-1	1	F400-04110-1	1	Oil Ring Assem.(OS=0.25)
423	F210-04110-2	1	F300-04110-2	1	F400-04110-2	1	Oil Ring Assem.(OS=0.50)

KOL

CRANKSHAFT & FLYWHEEL ASSEMBLY



CAMSHAFT ASSEMBLY



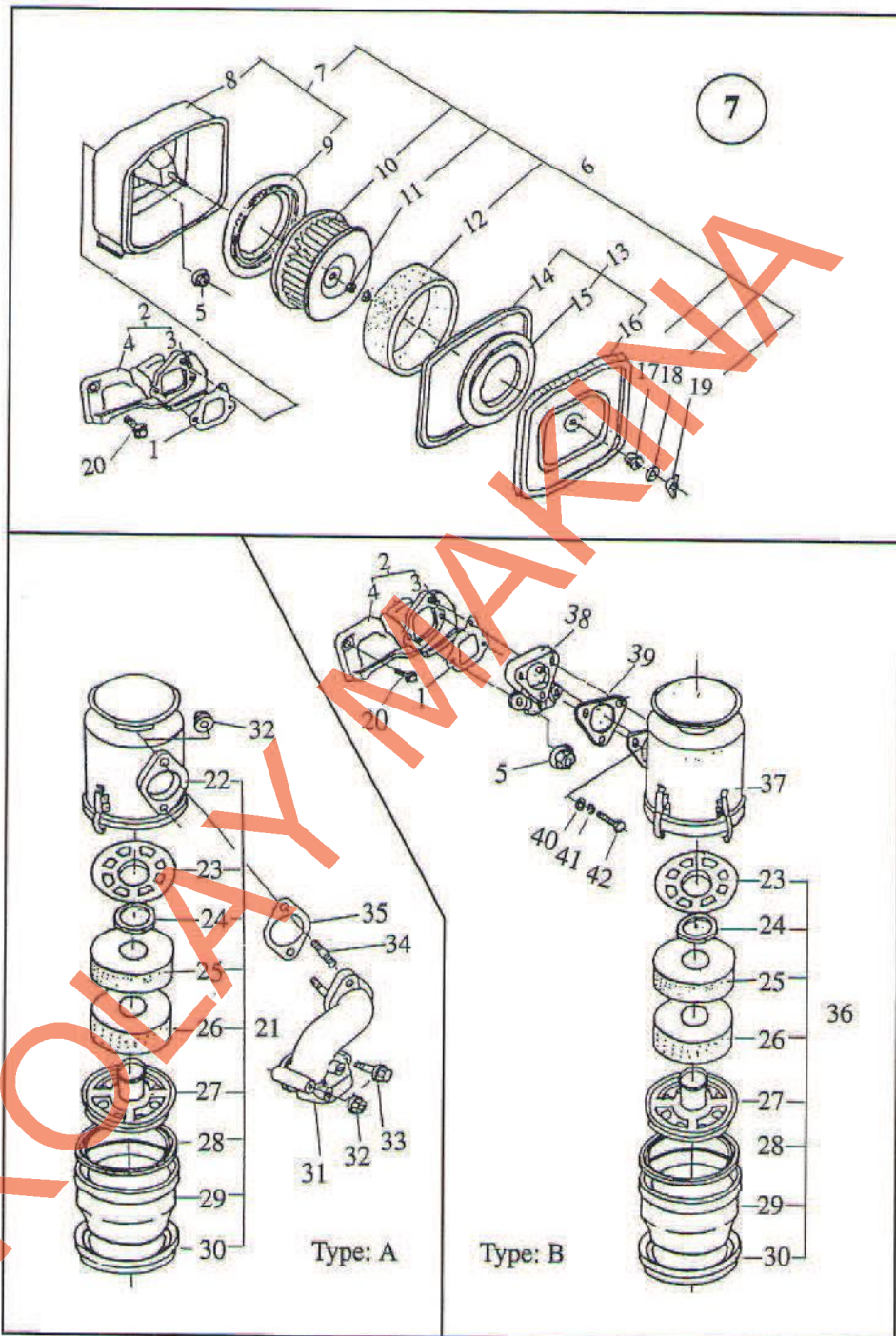
CRANKSHAFT & FLYWHEEL ASSEMBLY

	F210		F300		F400		Description
	Drawing No.	Q'ty	Drawing No.	Q'ty	Drawing No.	Q'ty	
501	F210-05300	1	F300-05300	1	F400-05300	1	Balance Shaft Assy.
502	F210-05301	1	F300-05301	1	F400-05301	1	Balance Shaft
503	GB1096-79	2	GB1096-79	2	GB1096-79	2	Key 5x7
504	F210-05302	1	F300-05302	1	F400-05302	1	Balance Shaft Gear
505	6202E GB276-94	2	6202E GB276-94	2	6203E GB276-94	2	Ball Bearing
506	F210-05200	1	F300-05200	1	F400-05200	1	Crank Shaft Assy.
507	F210-05201	1	F300-05201	1	F400-05201	1	Crankshaft
508	5x12 GB1096-79	2	5x12 GB1096-79	2	5x14 GB1096-79	2	Key
509	GB1096-79	1	GB1096-79	1	GB1096-79	1	Key(Size For Option)
510	F210-05203	1	F300-05203	1	F400-05203	1	Crankshaft Timing Gear
511	F210-05204	1	F300-05204	1	F400-05204	1	Balance Shaft Drive Gear
512	6306 GB276-94	1	6307 GB276-94	1	6308 GB276-94	1	Ball Bearing
513	F210-05202	1	F300-05202	1	F400-05202	1	Plunger
514	F210-05100	1	F300-05100	1	F400-05100	1	Flywheel Assy.
515	F210-05101	1	F300-05101	1	F400-05101	1	Flywheel
516	F210-05102	1	F300-05102	1	F400-05102	1	Flywheel Gear
517	F210-05003	1	F300-05003	1	F400-05003	1	Flywheel Nut Washer
518	F210-05002	1	F300-05002	1	F400-05002	1	Flywheel Nut
519	F210-05001	1	F300-05001	1	F400-05001	1	Starter Pulley
520	GB97.1-85	3	GB97.1-85	3	GB97.1-85	3	Washer 6
521	GB859-87	3	GB859-87	3	GB859-87	3	Spring Washer 6
522	GB5783-86	3	GB5783-86	3	GB5783-86	3	Bolt M6x12
523	F210-05004	1	F300-05004	1	F400-05004	1	Flywheel (For Recoil Startor Only)

CAMSHAFT ASSEMBLY

	F210		F300		F400		Description
	Drawing No.	Q'ty	Drawing No.	Q'ty	Drawing No.	Q'ty	
601	F210-06100	2	F300-06100	2	F400-06100	2	Valve Rod Assy.
602	F210-06003	2	F300-06003	2	F400-06003	2	Valve Tappet
603	F210-06002	1	F300-06002	1	F400-06002	1	Camshaft Timing Gear
604	5x14 GB1096-79	1	5x12 GB1096-79	1	5x14 GB1096-79	1	Key
605	F210-06001	1	F300-06001	1	F400-06001	1	Camshaft

AIR INTAKE & AIR CLEANER ASSEMBLY



AIR INTAKE & AIR CLEANER ASSEMBLY

	F210		F300		F400		Description	
	Drawing No.	Q'ty	Drawing No.	Q'ty	Drawing No.	Q'ty		
701	F210-07001	1	F300-07001	1	F400-07001	1	Air Cleaner Gasket	空气滤清器垫片
702	F210-07200	1	F300-07200	1	F400-07200	1	Intake Pipe Assy.	进气管组件
703	GB900-88	1	GB900-88	1	GB900-88	1	Stud AM6x14	螺柱 AM6x14
704	F210-07201	1	F300-07201	1	F400-07201	1	Intake Pipe	进气管
705	GB6177.1-00	3	GB6177.1-00	3	GB6177.1-00	3	Nut M6	法兰面螺母 M6
706	F210-07100	1	F300-07100	1	F400-07100	1	Air Cleaner Assy.	空滤器总成
707	F210-07130	1	F300-07130	1	F400-07130	1	Air Cleaner Case Assy.	空滤器壳体部件
708	F210-07134	1	F300-07134	1	F400-07134	1	Air Cleaner Case Welded	空滤器壳体焊接件
709	F210-07133	1	F300-07133	1	F400-07133	1	Damping&Sealing Washer II	防震密封圈 II
710	F210-07110	1	F300-07110	1	F400-07110	1	Air Cleaner Element Assy.	空滤芯部件
711	F210-07101	1	F300-07101	1	F400-07101	1	Rubber Seal I	密封橡胶件 I
712	F210-07102	1	F300-07102	1	F400-07102	1	Primary Element	粗滤芯
713	F210-07120	1	F300-07120	1	F400-07120	1	Air Cleaner Cover Assy.	空滤器盖组件
714	F210-07121	1	F300-07121	1	F400-07121	1	Rubber Seal Ring	密封圈
715	F210-07123	1	F300-07123	1	F400-07123	1	Damping&Sealing Washer I	防震密封圈 I
716	F210-07122	1	F300-07122	1	F400-07122	1	Air Cleaner Cover	空滤器盖
717	F210-07103	1	F300-07103	1	F400-07103	1	Rubber Seal II	密封橡胶件 II
718	GB96-85	1	GB96-85	1	GB96-85	1	Washer 6	垫圈 6
719	GB62-88	1	GB62-88	1	GB62-88	1	Wing Nut M6	碟形螺母 M6
720	GB5787-88	1	GB5787-88	1	GB5787-88	2	Bolt M6x20	法兰面螺栓 M6x20
Oil Bath Cleaner TYPE:A								
721	F210-A07100	1	F300-A07100	1	F400-A07100	1	Air Cleaner(Oil Bath) Assy.	空气滤组件(油浴式)
722	F210-A07101	1	F300-A07101	1	F400-A07101	1	Air Cleaner Case	空滤器体
723	F210-A07102	1	F300-A07102	1	F400-A07102	1	Hole Plate	孔板
724	F210-A07103	1	F300-A07103	1	F400-A07103	1	O-Ring	O形密封圈
725	F210-A07104	1	F300-A07104	1	F400-A07104	1	Secondary Element	精滤芯
726	F210-A07105	1	F300-A07105	1	F400-A07105	1	Primary Element	粗滤芯
727	F210-A07106	1	F300-A07106	1	F400-A07106	1	Element Seat	滤芯座
728	F210-A07107	1	F300-A07107	1	F400-A07107	1	Seal Ring	密封圈
729	F210-A07108	1	F300-A07108	1	F400-A07108	1	Oil Pan	油杯
730	F210-A07109	1	F300-A07109	1	F400-A07109	1	Lock Ring	压环
731	F210-A07001	1	F300-A07001	1	F400-A07001	1	Intake Pipe	进气管
732	GB6177.1-00	4	GB6177.1-00	4	GB6177.1-00	4	Nut M6	法兰面螺母 M6

AIR INTAKE & AIR CLEANER ASSEMBLY

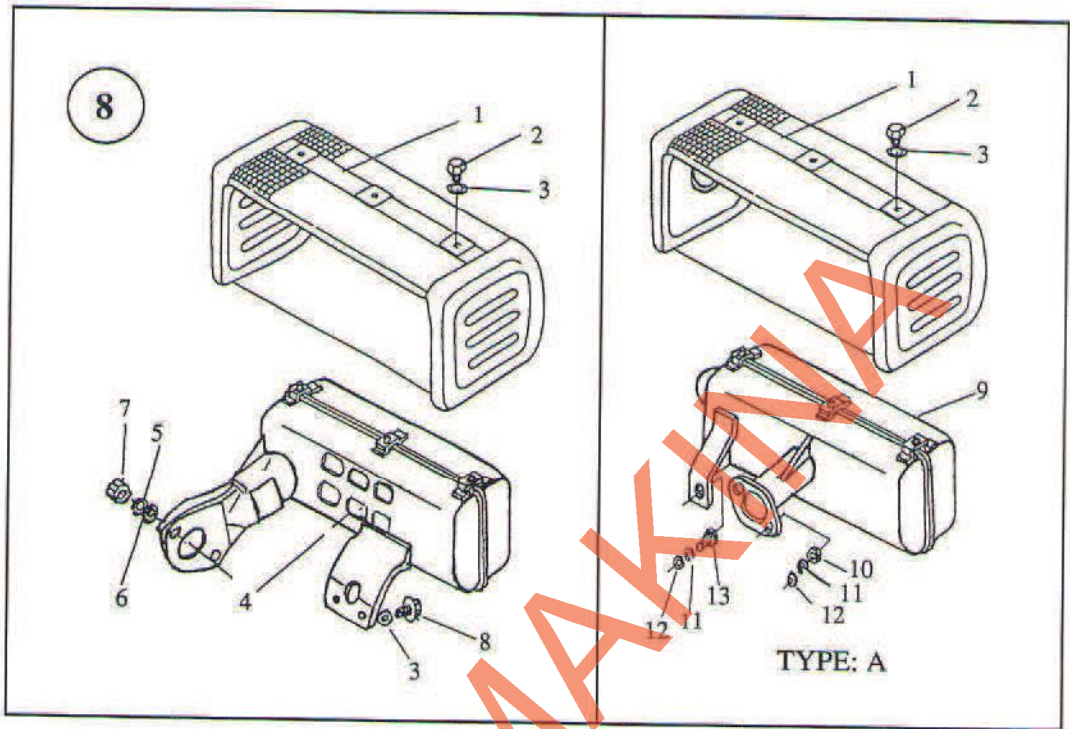
	F210		F300		F400		Description
	Drawing No.	Q'ty	Drawing No.	Q'ty	Drawing No.	Q'ty	
733	GB5787-88	1	GB5787-88	1	GB5787-88	2	Bolt M6x20
734	GB900-88	2	GB900-88	2	GB900-88	2	Stud AM6x14
735	F210-A07002	1	F300-A07002	1	F400-A07002	1	Air Cleaner Gasket

Oil Bath Cleaner TYPE:B

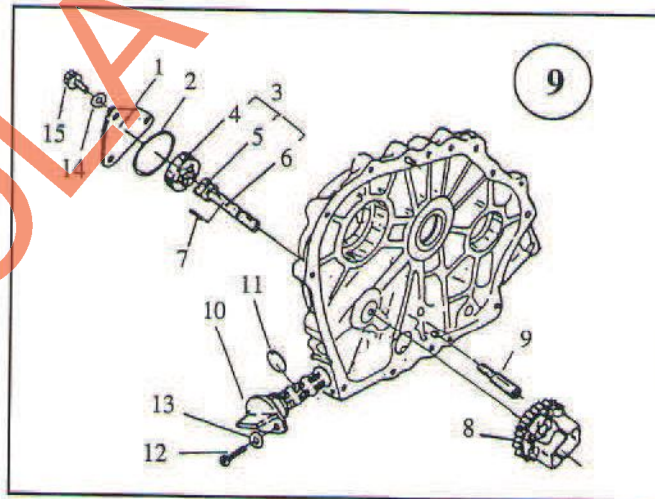
736	F210-B07100	1	F300-B07100	1	F400-B07100	1	Air Cleaner (Oil Bath) Assy.
737	F210-B07101	1	F300-B07101	1	F400-B07101	1	Air Cleaner Case
738	F210-B07001	1	F300-B07001	1	F400-B07001	1	Adapter
739	F210-B07002	1	F300-B07002	1	F400-B07002	1	Air Cleaner Gasket
740	GB97.1-85	3	GB97.1-85	3	GB97.1-85	3	Washer 6
741	GB93-87	3	GB93-87	3	GB93-87	3	Spring Washer 6
742	GB6783-86	3	GB6783-86	3	GB6783-86	3	Bolt M6x16

KOLAY MAN

SILENCER ASSEMBLY



LUBE OIL ASSEMBLY



SILENCER ASSEMBLY

	F210		F300		F400		Description
	Drawing No.	Q'ty	Drawing No.	Q'ty	Drawing No.	Q'ty	
801	F210-08100	1	F300-08100	1	F400-08100	1	Case Welded Assy.
802	GB5783-86	6	GB5783-86	6	GB5783-86	6	Bolt M6x12
803	GB97.1-85	8	GB97.1-85	8	GB97.1-85	8	Washer 6
804	F210-08200	1	F300-08200	1	F400-08200	1	Silencer Welded Assy.
805	GB97.1-85	2	GB97.1-85	2	GB97.1-85	2	Washer 8
806	GB859-87	2	GB859-87	2	GB859-87	2	Spring Washer 8
807	GB6170-86	2	GB6170-86	2	GB6170-86	2	Nut M8
808	M6x16 GB5783-86	2	M6x16 GB5783-86	2	M8x16 GB5783-86	2	Bolt

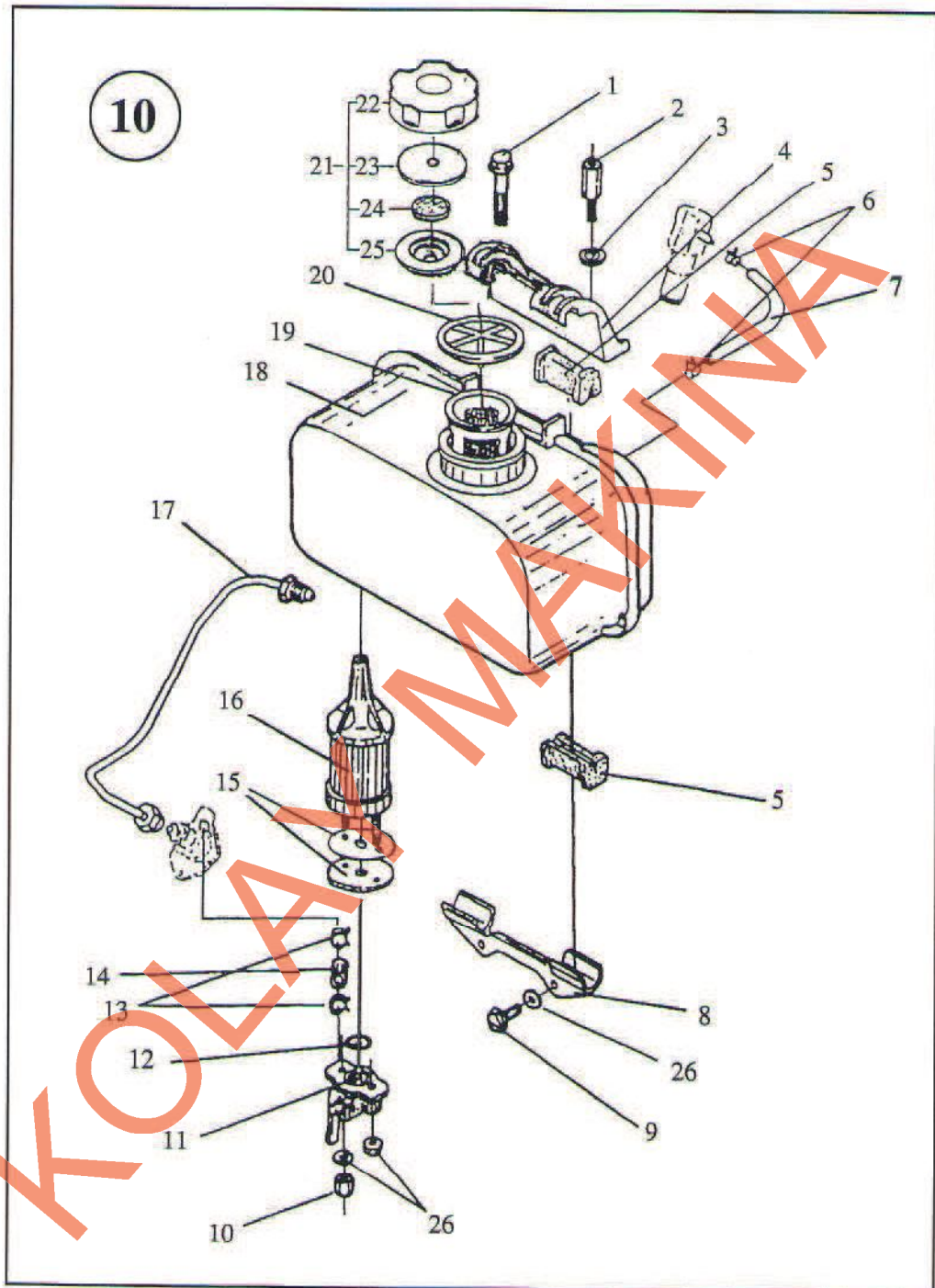
TYPE:A

809	F210-A08200	1	F300-A08200	1	F400-A08200	1	Silencer Welded Assy.
810	GB6170-86	2	GB6170-86	2	GB6170-86	2	Nut M8
811	GB93-87	3	GB93-87	3	GB93-87	3	Spring Washer 8
812	GB97.1-85	3	GB97.1-85	3	GB97.1-85	3	Washer 8
813	GB5783-86	1	GB5783-86	1	GB5783-86	2	Bolt M8x20

LUBE OIL ASSEMBLY

	F210		F300		F400		Description
	Drawing No.	Q'ty	Drawing No.	Q'ty	Drawing No.	Q'ty	
901	F210-09003	1	F300-09003	1	F400-09003	1	Oil Pump Cover
902	GB3452.1-82	1	GB3452.1-82	1	GB3452.1-82	1	O-Ring 34.5x1.8
903	F210-09100	1	F300-09100	1	F400-09100	1	Oil Pump Assy.
904	F210-09103	1	F300-09103	1	F400-09103	1	Outer Rotator
905	F210-09101	1	F300-09101	1	F400-09101	1	Inner Rotator
906	F210-09102	1	F300-09102	1	F400-09102	1	Rotor Pump Shaft
907	GB119-86	1	GB119-86	1	GB119-86	1	Pin 3x16
908	F210-09004	1	F300-09004	1	F400-09004	1	Oil Pump Driving Gear
909	F210-09002	1	F300-09002	1	F400-09002	1	Oil Intake Pipe
910	F210-09200	1	F300-09200	1	F400-09200	1	Oil Filter Assy.
911	GB3452.1-82	1	GB3452.1-82	1	GB3452.1-82	1	O-Ring 25x2.4
912	GB5783-86	1	GB5783-86	1	GB5783-86	1	Bolt M6x16
913	GB97.1-85	1	GB97.1-85	1	GB97.1-85	1	Washer 6
914	GB5787-86	3	GB5787-86	3	GB5787-86	3	Bolt M6x12
915	GB93-87	3	GB93-87	3	GB93-87	3	Spring Washer 6

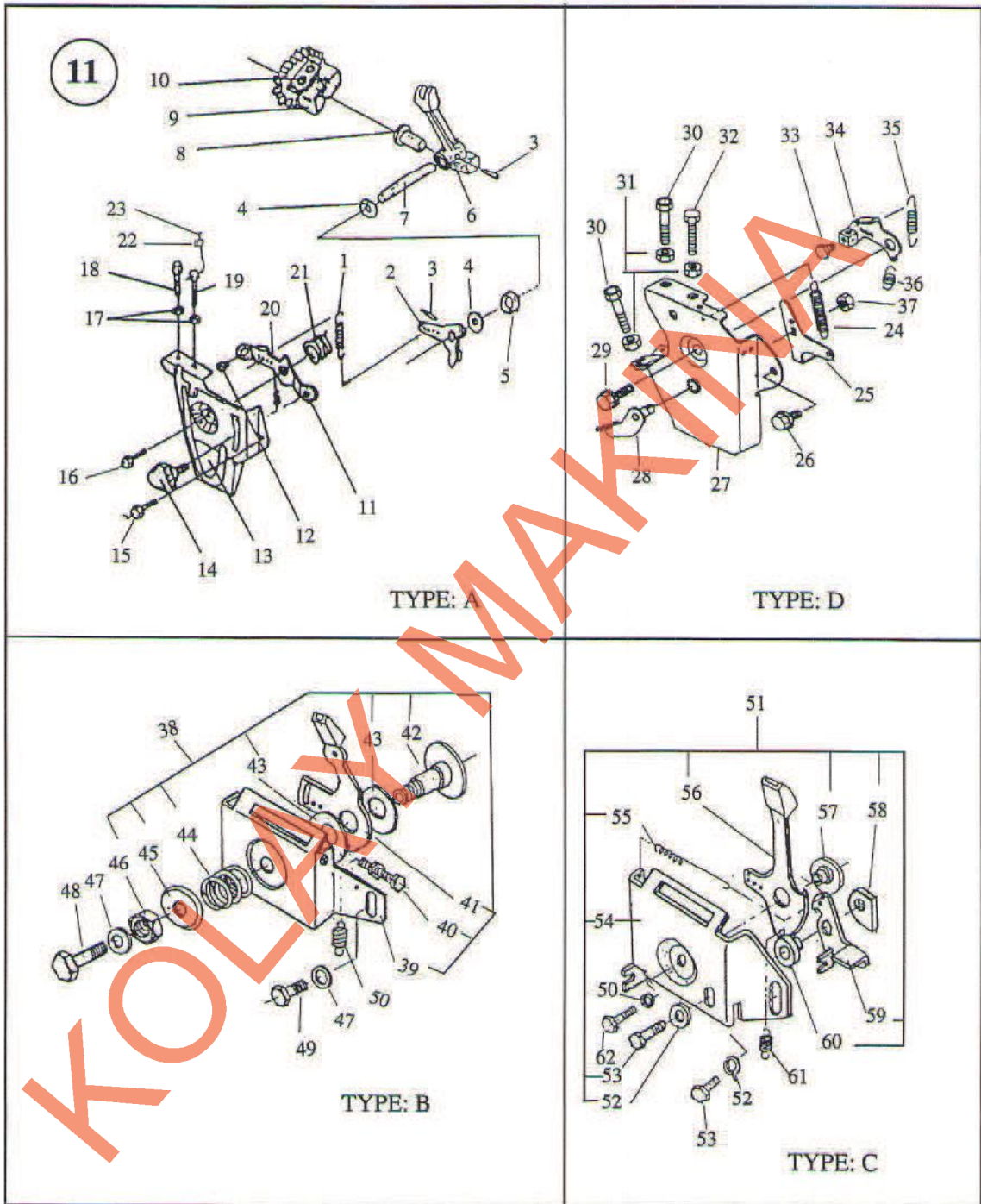
FUEL TANK & FUEL PIPE ASSEMBLY



FUEL TANK & FUEL PIPE ASSEMBLY

	F210		F300		F400		Description
	Drawing No.	Q'ty	Drawing No.	Q'ty	Drawing No.	Q'ty	
1001	GB5782-86	1	GB5782-86	1	GB5782-86	1	Bolt M8x45
1002	F210-10003	1	F300-10003	1	F400-10003	1	Bolt
1003	GB97.1-85	2	GB97.1-85	2	GB97.1-85	2	Washer 8
1004	F210-10001	1	F300-10001	1	F400-10001	1	Upper Stay
1005	F210-10002	4	F300-10002	4	F400-10002	4	Damper
1006	F210-10013	2	F300-10013	2	F400-10013	2	Clamp
1007	F210-10012	1	F300-10012	1	F400-10012	1	Fuel Return Pipe
1008	F210-10014	1	F300-10014	1	F400-10014	1	Lower Stay
1009	GB5783-86	2	GB5783-86	2	GB5783-86	2	Bolt M6x14
1010	GB6170-86	2	GB6170-86	2	GB6170-86	2	Nut M6
1011	F210-10400	1	F300-10400	1	F400-10400	1	Fuel Cock Assy.
1012	GB3452.1-82	1	GB3452.1-82	1	GB3452.1-82	1	O-Ring 13.2x1.8
1013	F210-10011	2	F300-10011	2	F400-10011	2	Clamp
1014	F210-10009	1	F300-10009	1	F400-10009	1	Fuel Pipe
1015	F210-10007	1	F300-10007	1	F400-10007	1	Fuel Filter Gasket
1016	F210-10300	1	F300-10300	1	F400-10300	1	Filter Element Assem.
1017	F210-10500	1	F300-10500	1	F400-10500	1	Fuel Injection Pipe Assy.
1018	F210-10200	1	F300-10200	1	F400-10200	1	Fuel Tank Assem.
1019	F210-10004	1	F300-10004	1	F400-10004	1	Fuel Filter
1020	F210-10015	1	F300-10015	1	F400-10015	1	Fuel Level Mark
1021	F210-10100	1	F300-10100	1	F400-10100	1	Fuel Tank Cover Assy.
1022	F210-10101	1	F300-10101	1	F400-10101	1	Fuel Tank Cover
1023	F210-10102	1	F300-10102	1	F400-10102	1	Plate
1024	F210-10103	1	F300-10103	1	F400-10103	1	Separator
1025	F210-10104	1	F300-10104	1	F400-10104	1	Packing
1026	GB97.1-85	2	GB97.1-85	2	GB97.1-85	4	Washer 6

GOVERNOR & CONTROL SYSTEM



GOVERNOR & CONTROL SYSTEM

	F210		F300		F400		Description
	Drawing No.	Q'ty	Drawing No.	Q'ty	Drawing No.	Q'ty	
1101	F210-A11006	1	F300-A11006	1	F400-A11006	1	Governing Spring
1102	F210-A11103	1	F300-A11103	1	F400-A11103	1	Governor Lever Welded
1103	GB117-76	2	GB117-76	2	GB117-76	2	Pin 3x22
1104	F210-A11003	2	F300-A11003	2	F400-A11003	2	Washer 6
1105	F210-A11007	1	F300-A11007	1	F400-A11007	1	Seal
1106	F210-A11101	1	F300-A11101	1	F400-A11101	1	Lever Fork
1107	F210-A11102	1	F300-A11102	1	F400-A11102	1	Lever Shaft
1108	F210-A11004	1	F300-A11004	1	F400-A11004	1	Tappet
1109	F210-A11001	2	F300-A11001	2	F400-A11001	2	Fly Weight
1110	F210-A11002	2	F300-A11002	2	F400-A11002	2	Fly Weight Pin
1111	F210-A11303	1	F300-A11303	1	F400-A11303	1	Control Lever Assy.
1112	GB818-85	1	GB818-85	1	GB818-85	1	Screw M4x10
1113	F210-A11304	1	F300-A11304	1	F400-A11304	1	Handle Bracket
1114	F210-A11301	1	F300-A11301	1	F400-A11301	1	Lock Handle
1115	GB5783-86	1	GB5783-86	1	GB5783-86	1	Bolt M6x14
1116	GB5783-86	1	GB5783-86	1	GB5783-86	1	Bolt M6x20
1117	GB6172-86	2	GB6172-86	2	GB6172-86	2	Nut M6
1118	F210-A11305	1	F300-A11305	1	F400-A11305	1	Adjusting Bolt
1119	F210-A11307	1	F300-A11307	1	F400-A11307	1	High Speed Limited Screw
1120	F210-A11005	1	F300-A11005	1	F400-A11005	1	Return Spring
1121	F210-A11306	1	F300-A11306	1	F400-A11306	1	Return Spring
1122	F210-A11008	2	F300-A11008	2	F400-A11008	2	Lead
1123	F210-A11009	2	F300-A11009	2	F400-A11009	2	Wire

For Governing Handle TYPE:B

1138	F210-B11300	1	F300-B11300	1	F400-B11300	1	Governing Handle Assy.
1139	F210-B11304	1	F300-B11304	1	F400-B11304	1	Handle Bracket
1140	F210-A11307	1	F300-A11307	1	F400-A11307	1	High Speed Limited Screw
1141	F210-B11303	1	F300-B11303	1	F400-B11303	1	Governing Handle
1142	F210-B11301	1	F300-B11301	1	F400-B11301	1	Handle Shaft
1143	F210-B11302	2	F300-B11302	2	F400-B11302	2	Gasket
1144	F210-B11305	1	F300-B11305	1	F400-B11305	1	Compress Spring
1145	F210-B11307	1	F300-B11307	1	F400-B11307	1	Cover
1146	GB6173-86	1	GB6173-86	1	GB6173-86	1	Bolt M10x1.25

GOVERNOR & CONTROL SYSTEM

	F210		F300		F400		Description
	Drawing No.	Q'ty	Drawing No.	Q'ty	Drawing No.	Q'ty	
1147	GB97.1-85	2	GB97.1-85	2	GB97.1-85	2	Washer 6
1148	GB5783-86	1	GB5783-86	1	GB5783-86	1	Bolt M6x45
1149	GB5783-86	1	GB5783-86	1	GB5783-86	1	Bolt M6x14
1150	F210-A11005	1	F300-A11005	1	F400-A11005	1	Return Spring

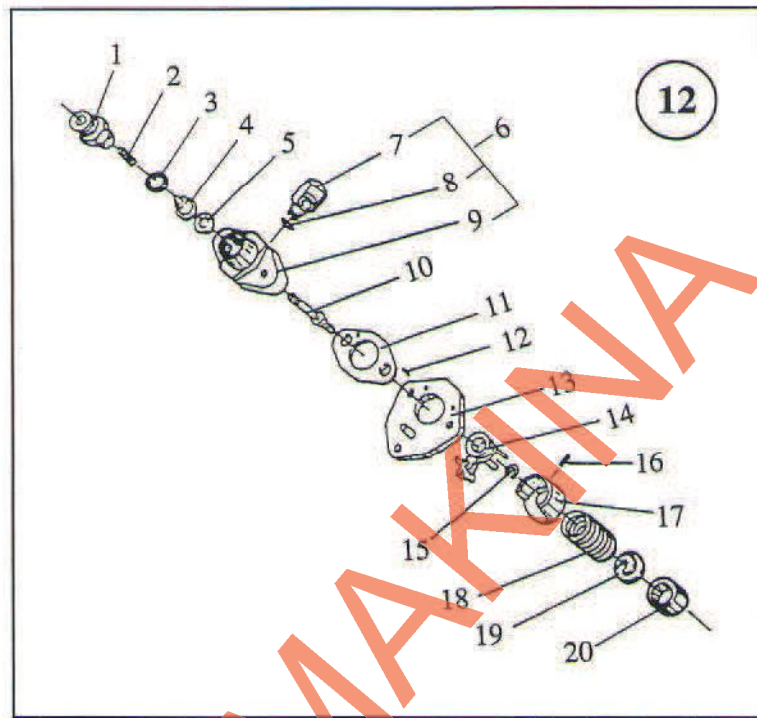
For Governing Handle TYPE: C

1151	F210-C11300	1	F300-C11300	1	F400-C11300	1	Governing Handle Assy.
1152	GB97.1-85	3	GB97.1-85	3	GB97.1-85	3	Washer 6
1153	GB5783-86	2	GB5783-86	2	GB5783-86	2	Bolt M6x14
1154	F210-C11304	1	F300-C11304	1	F400-C11304	1	Handle Bracket
1155	F210-C11305	1	F300-C11305	1	F400-C11305	1	Spring
1156	F210-C11303	1	F300-C11303	1	F400-C11303	1	Governing Handle
1157	F210-C11301	1	F300-C11301	1	F400-C11301	1	Handle Shaft
1158	F210-C11302	1	F300-C11302	1	F400-C11302	1	Tighten Plate
1159	F210-C11306	1	F300-C11306	1	F400-C11306	1	Stopping Handle
1160	F210-C11307	1	F300-C11307	1	F400-C11307	1	Block
1161	F210-A11005	1	F300-A11005	1	F400-A11005	1	Return Spring
1162	GB5783-86	1	GB5783-86	1	GB5783-86	1	Bolt M6x22

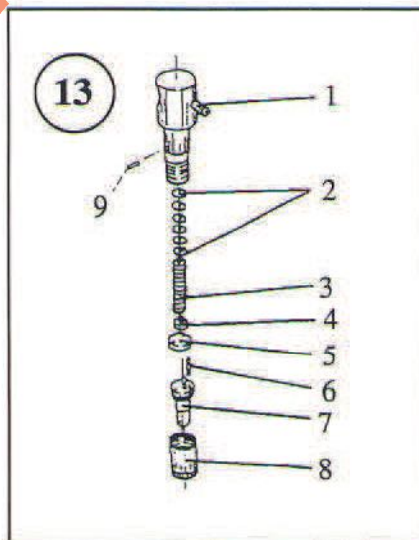
For Governing Handle TYPE: D

1124	F210-D11302	1	F300-D11302	1	F400-D11302	1	Stopping Spring
1125	F210-D11301	1	F300-D11301	1	F400-D11301	1	Stopping Lever
1126	GB5783-86	1	GB5783-86	1	GB5783-86	1	Bolt M6x14
1127	F210-D11304	1	F300-D11304	1	F400-D11304	1	Handle Bracket Welded
1128	F210-D11306	1	F300-D11306	1	F400-D11306	1	Stopping Handle
1129	GB5783-86	2	GB5783-86	2	GB5783-86	2	Bolt M6x30
1130	F210-A11305	1	F300-A11305	1	F400-A11305	1	Adjusting Bolt
1131	GB6170-86	4	GB6170-86	4	GB6170-86	4	Nut M6
1132	F210-A11307	1	F300-A11307	1	F400-A11307	1	High Speed Limited Screw
1133	GB818-85	1	GB818-85	1	GB818-85	1	Screw M4x10
1134	F210-D11303	1	F300-D11303	1	F400-D11303	1	Control Lever Assy.
1135	F210-D11006	1	F300-D11006	1	F400-D11006	1	Governing Spring
1136	F210-A11005	1	F300-A11005	1	F400-A11005	1	Return Spring
1137	GB6170-86	1	GB6170-86	1	GB6170-86	1	Nut M8

FUEL INJECTION PUMP ASSEMBLY



FUEL NOZZLE ASSEMBLY



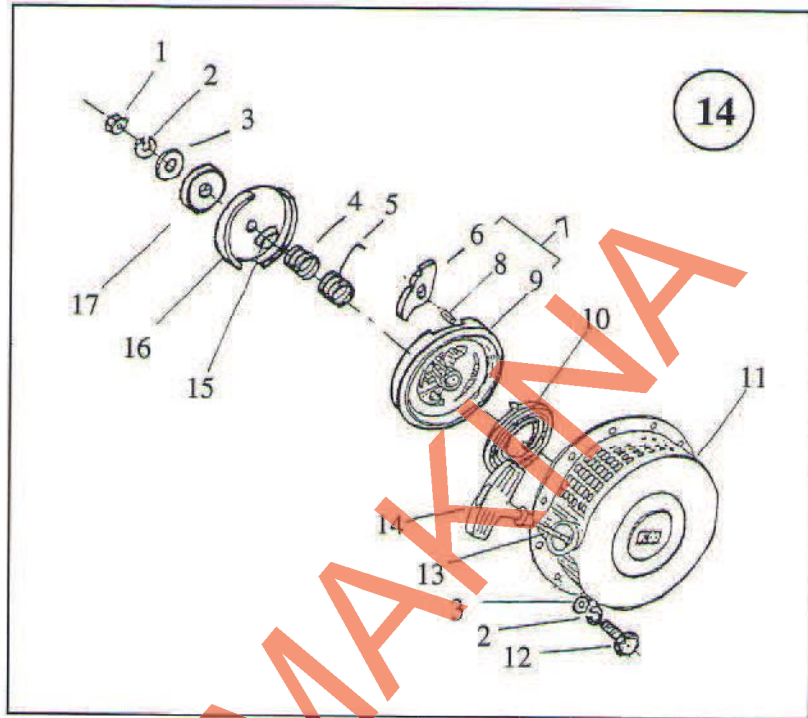
FUEL INJECTION PUMP ASSEMBLY

	F210		F300		F400		Description
	Drawing No.	Q'ty	Drawing No.	Q'ty	Drawing No.	Q'ty	
1201	F210-12001	1	F300-12001	1	F400-12001	1	Delivery Holder
1202	F210-12002	1	F300-12002	1	F400-12002	1	Delivery Spring
1203	F210-12003	1	F300-12003	1	F400-12003	1	Seal Gasket
1204	F210-12004	1	F300-12004	1	F400-12004	1	Delivery Valve
1205	F210-12005	1	F300-12005	1	F400-12005	1	Delivery Seat
1206	F210-12100	1	F300-12100	1	F400-12100	1	Pump Body Assy.
1207	F210-12101	1	F300-12101	1	F400-12101	1	Pipe Joint
1208	GB3452.1-82	1	GB3452.1-82	1	GB3452.1-82	1	O-Ring
1209	F210-12102	1	F300-12102	1	F400-12102	1	Pump Body
1210	F210-12006	1	F300-12006	1	F400-12006	1	Plunger
1211	F210-12007		F300-12007		F400-12007		Shim Set (When Necessary)
1212	GB879-86	2	GB879-86	2	GB879-86	2	Spring Pin 2x6
1213	F210-12008	1	F300-12008	1	F400-12008	1	Plate
1214	F210-12200	1	F300-12200	1	F400-12200	1	Control Lever Welded
1215	F210-12009	1	F300-12009	1	F400-12009	1	Clip
1216	GB879-86	1	GB879-86	1	GB879-86	1	Spring Pin 3x8
1217	F210-12010	1	F300-12010	1	F400-12010	1	Seat
1218	F210-12011	1	F300-12011	1	F400-12011	1	Spring
1219	F210-12012	1	F300-12012	1	F400-12012	1	Spring Seat
1220	F210-12013	1	F300-12013	1	F400-12013	1	Tappet

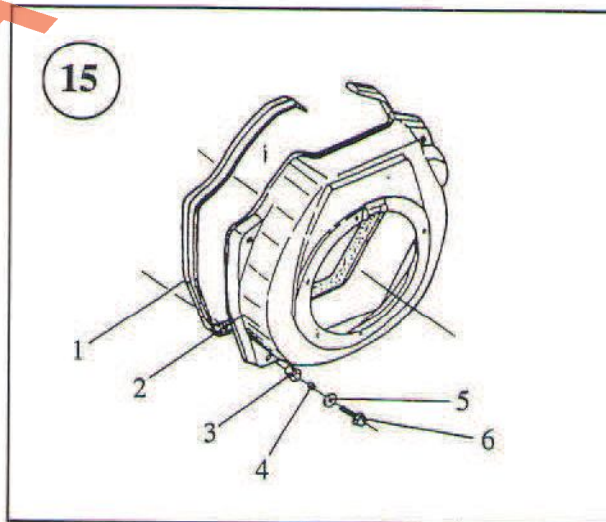
FUEL NOZZLE ASSEMBLY

	F210		F300		F400		Description
	Drawing No.	Q'ty	Drawing No.	Q'ty	Drawing No.	Q'ty	
1301	F210-13100	1	F300-13100	1	F400-13100	1	Nozzle Holder Assy.
1302	F210-13001		F300-13001		F400-13001		Shim Set (When necessary)
1303	F210-13002	1	F300-13002	1	F400-13002	1	Nozzle Spring
1304	F210-13003	1	F300-13003	1	F400-13003	1	Spring Seat
1305	F210-13004	1	F300-13004	1	F400-13004	1	Stop Plate
1306	F210-13005	2	F300-13005	2	F400-13005	2	Pin
1307	F210-13006	1	F300-13006	1	F400-13006	1	Nozzle Valve
1308	F210-13007	1	F300-13007	1	F400-13007	1	Nozzle Case Nut
1309	F210-13008	1	F300-13008	1	F400-13008	1	Spring Pin

RECOIL STARTER ASSEMBLY



COOLING FAN CASE ASSEMBLY



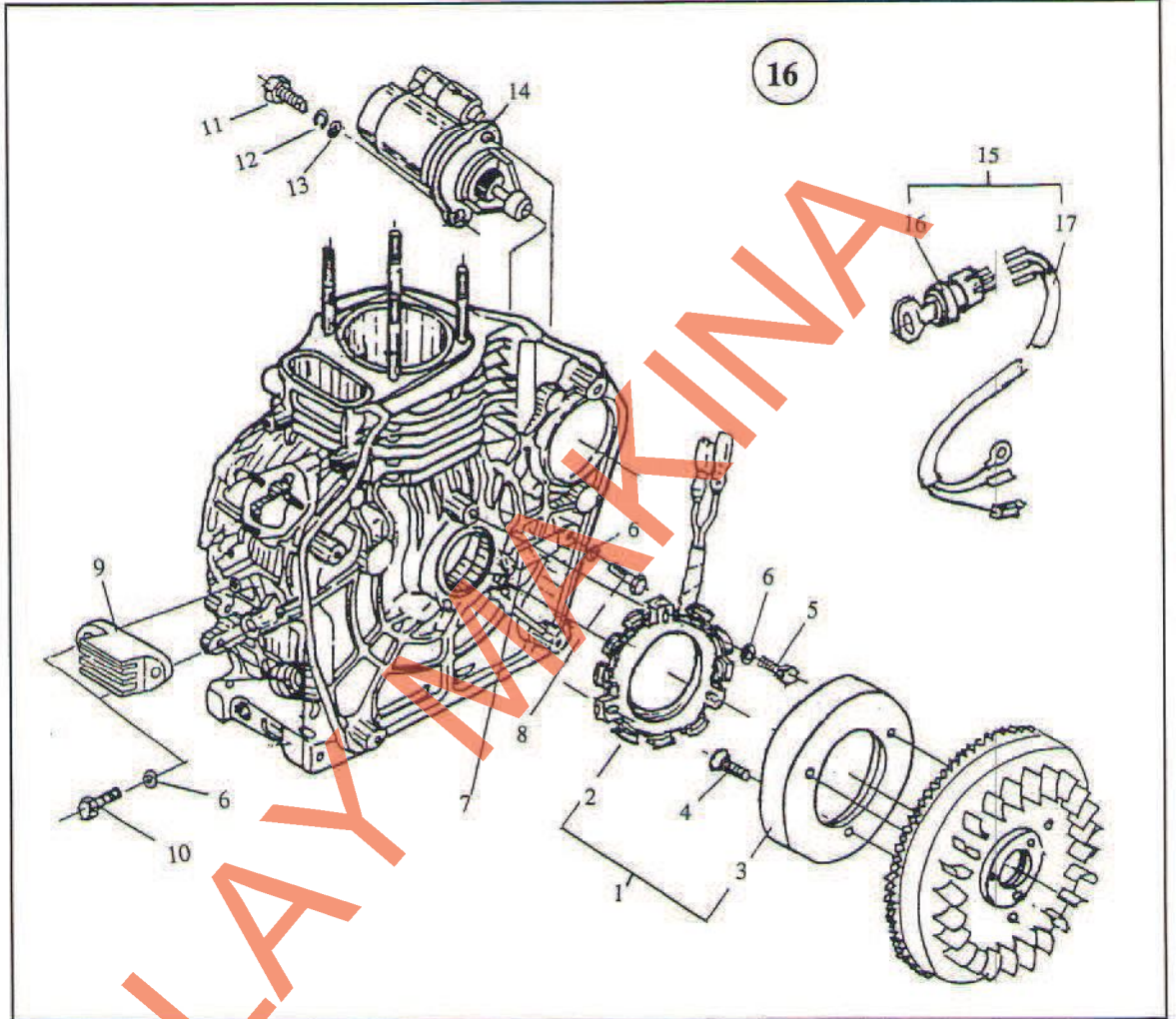
RECOIL STARTER ASSEMBLY

	F210		F300		F400		Description
	Drawing No.	Q'ty	Drawing No.	Q'ty	Drawing No.	Q'ty	
1401	GB6170-86	1	GB6170-86	1	GB6170-86	1	Nut M6
1402	GB93-87	5	GB93-87	5	GB93-87	5	Spring Washer 6
1403	GB97.1-85	5	GB97.1-85	5	GB97.1-85	5	Washer 6
1404	F210-14002	1	F300-14002	1	F400-14002	1	Compress Spring
1405	F210-14005	1	F300-14005	1	F400-14005	1	Return Spring
1406	F210-14001	2	F300-14001	2	F400-14001	2	Ratchet
1407	F210-14200	1	F300-14200	1	F400-14200	1	Reel Assy.
1408	F210-14201	2	F300-14201	2	F400-14201	2	Ratchet Shaft
1409	F210-14202	1	F300-14202	1	F400-14202	1	Reel
1410	F210-14009	1	F300-14009	1	F400-14009	1	Spiral Spring
1411	F210-14100	1	F300-14100	1	F400-14100	1	Case Assy.
1412	GB5783-86	4	GB5783-86	4	GB5783-86	4	Bolt M6x12
1413	F210-14008	1	F300-14008	1	F400-14008	1	Starter Rope
1414	F210-14007	1	F300-14007	1	F400-14007	1	Starter Handle
1415	F210-14011	1	F300-14011	1	F400-14011	1	Spring Seat
1416	F210-14006	1	F300-14006	1	F400-14006	1	Ratchet Cover
1417	F210-14013	1	F300-14013	1	F400-14013	1	Friction Washer

COOLING FAN CASE ASSEMBLY

	F210		F300		F400		Description
	Drawing No.	Q'ty	Drawing No.	Q'ty	Drawing No.	Q'ty	
1501	F210-15003	1	F300-15003	1	F400-15003	1	Shock Absorber Seat
1502	F210-15100	1	F300-15100	1	F400-15100	1	Fan Case Welded
1503	F210-15002	4	F300-15002	4	F400-15002	4	Rubber Absorber
1504	F210-15001	4	F300-15001	4	F400-15001	4	Collar
1505	GB96-85	4	GB96-85	4	GB96-85	4	Washer 6
1506	GB5783-86	4	GB5783-86	4	GB5783-86	4	Bolt M6x22

STARTER AND GENERATOR ASSEMBLY

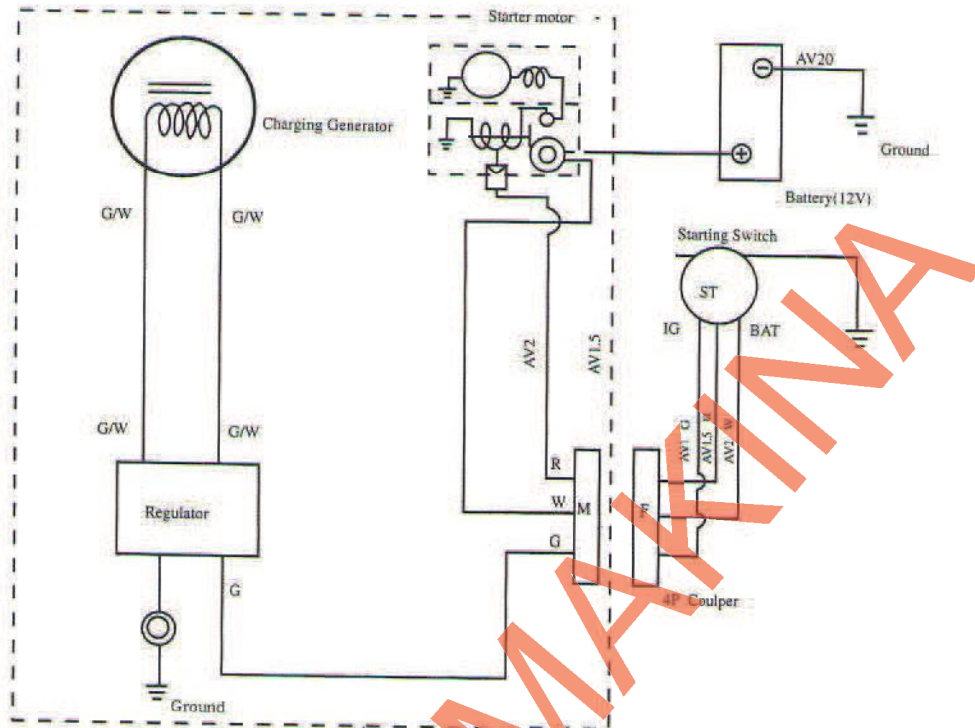


STARTER AND GENERATOR ASSEMBLY

	F210		F300		F400		Description
	Drawing No.	Q'ty	Drawing No.	Q'ty	Drawing No.	Q'ty	
1601	F210-16100	1	F300-16100	1	F400-16100	1	Flywheel Generator
1602	F210-16101	1	F300-16101	1	F400-16101	1	Stator Parts Assem.
1603	F210-16102	1	F300-16102	1	F400-16102	1	Rotator Parts Assem.
1604	GB68-86	3	GB68-86	3	GB68-86	3	Bolt M6x12
1605	GB5783-87	3	GB5783-87	3	GB5783-87	3	Bolt M6x20
1606	GB97.1-85	6	GB97.1-85	6	GB97.1-85	6	Washer 6
1607	F210-16001	1	F300-16001	1	F400-16001	1	Plate
1608	GB5783-87	1	GB5783-87	1	GB5783-87	1	Bolt M6x12
1609	F210-16002	1	F300-16002	1	F400-16002	1	Regulator Assem.
1610	GB5783-87	2	GB5783-87	2	GB5783-87	2	Bolt M6x14
1611	GB5783-87	2	GB5783-87	2	GB5783-87	2	Bolt M10x35
1612	GB93-87	2	GB93-87	2	GB93-87	2	Spring Washer 10
1613	GB97.1-85	2	GB97.1-85	2	GB97.1-85	2	Washer 10
1614	F210-16200	1	F300-16200	1	F400-16200	1	Starter
1615	F210-16300	1	F300-16300	1	F400-16300	1	Key Switch Assem.
1616	F210-16301	1	F300-16301	1	F400-16301	1	Key Switch
1617	F210-16302	1	F300-16302	1	F400-16302	1	Wire Group

KOLAY

PRINCIPLE DIAGRAM OF ELECTRICITY OF ELECTRIC STARTING



B/W: Black/white
 B: Black
 R: Red
 Y: Yellow
 G: Green
 W: White
 G/W: Green/white

How Key Switch Functions

	E	B	IG/BAT	ST	Note
OFF	<input type="checkbox"/>	<input type="checkbox"/>			
1			<input type="checkbox"/>		
2			<input type="checkbox"/>	<input type="checkbox"/>	

Charging generator	Model	GP9587
	Output Current	2.6 - 3.3A(DC)
	At charging start	1000rpm (13V)
	Allowable ambient temperature	-20 - +65°C
	Combination of regulator (model)	RS2190
Starting motor	12V-0.8KW	

Locally procure

- 1). Battery: F200E: 18-24AH F300E: 24-36AH
F400E: 36-45AH
- 2). Battery Cable: ⊕ & ⊖ (AV20)